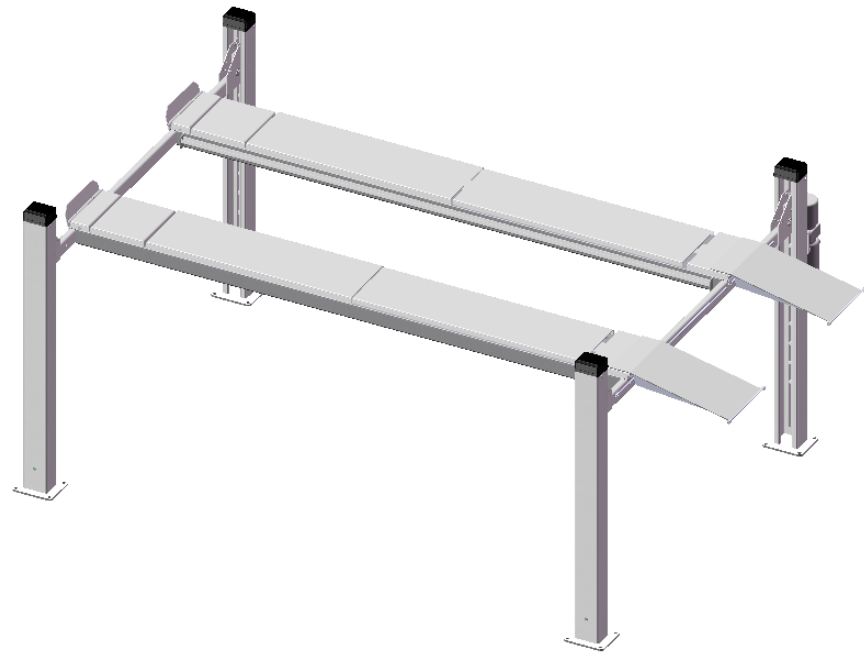
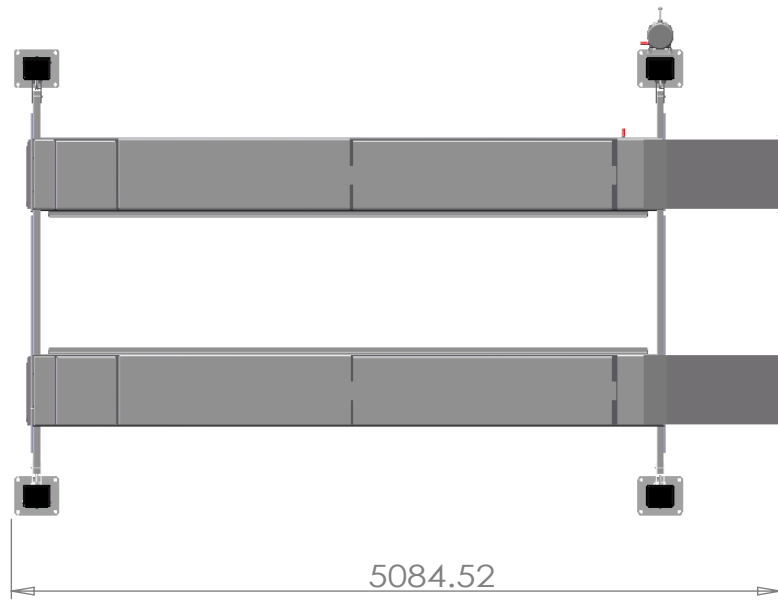
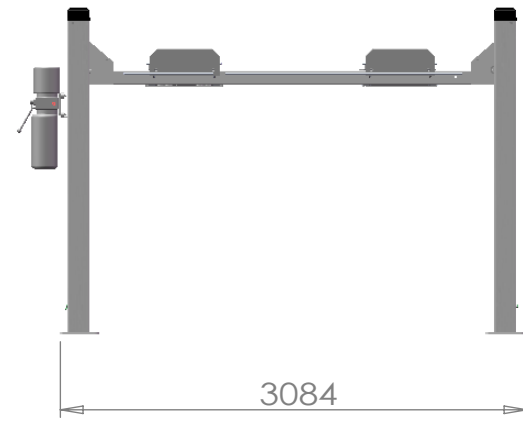
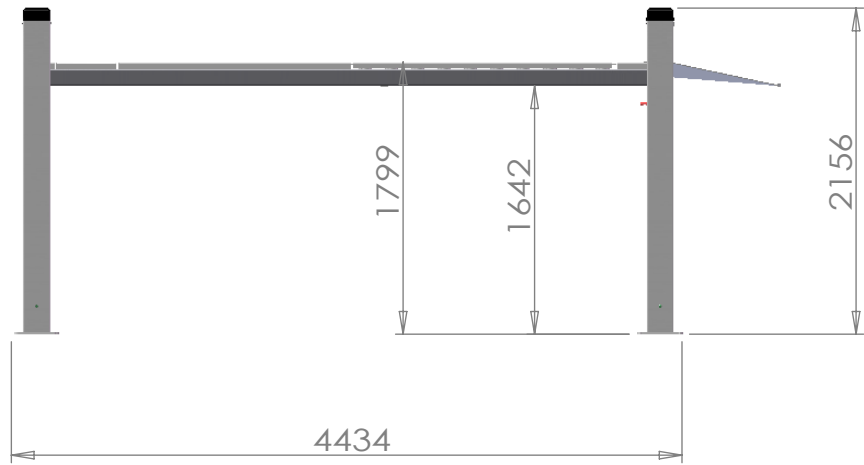
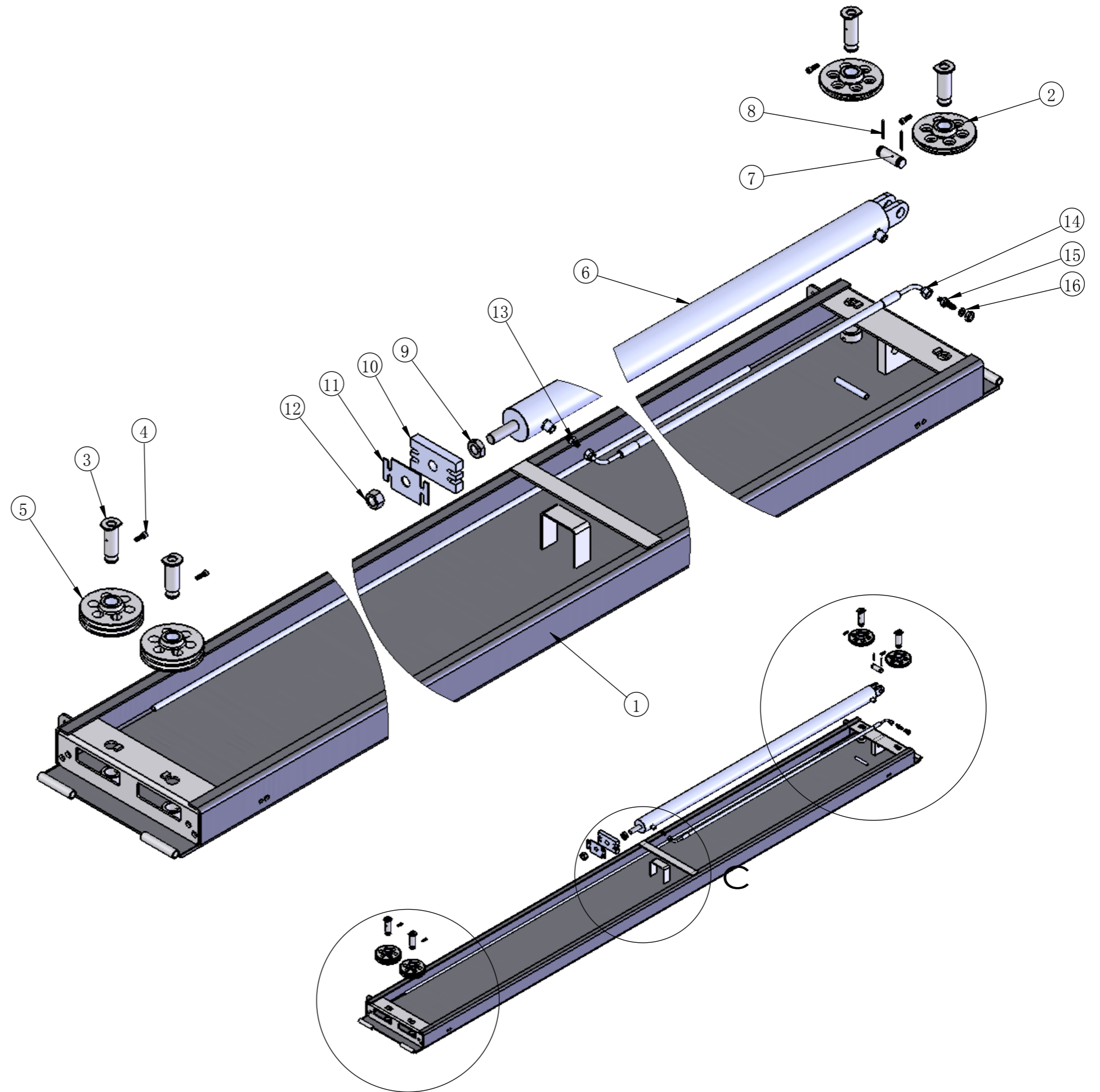


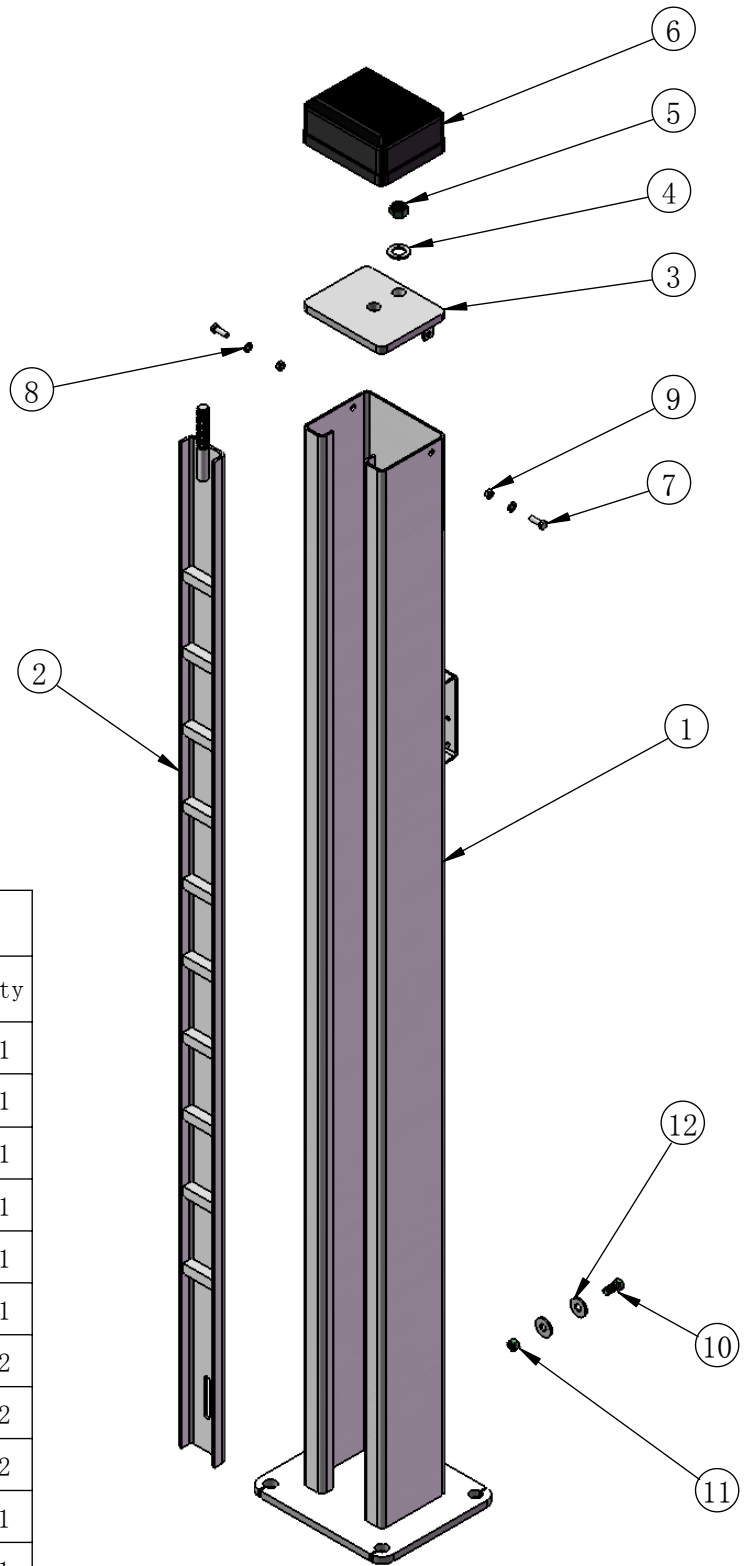
Parts List			
No	Drawing No	Description	Qty
1	1030030000	Column	1
2	1030020001	Column	3
3	1030020031	Beam (1)	1
4	1030020032	Beam (2)	1
5	1030021000	Runway (1)	1
6	1030021004	Runway (2)	1
7	9010030012 9020010012 9030034010	M14*85 Screw, M14 Nut, Flat Washer	8
8	1003001076	Stop Punner	2
9	1030041067	Pin	4
10	1003001064	Ramp	2
11	1010021011 9020010005 9030034005	Power Pack Rubber, M8 Nut, Φ8 Flat Washer	4
12	9040040017	Power Unit	1

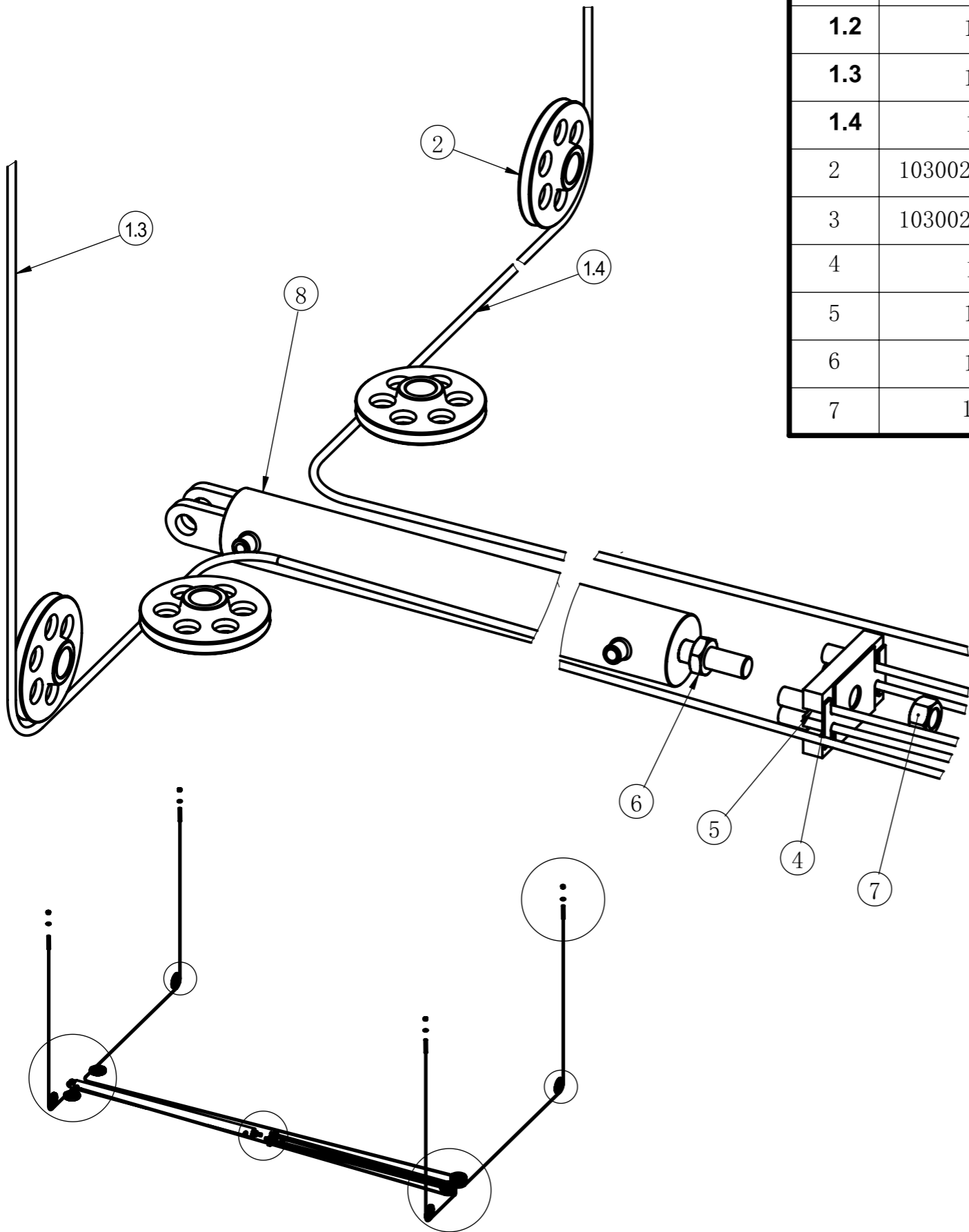


Ramp install parts list			
No	Drawing No	Description	Qty
1	1030021000	Ramp	1
2	1030020063+1030020059	Pulley (1)	2
3	1030021024	Pulley Shaft	4
4	9011003013	M8×25 Screw	4
5	1030020121+1030020059	Pulley (2)	2
6	1030020216	Cylinder	1
7	1030020141	Cylinder Pin	1
8	9030011004	Φ3.2×45 Pin	2
9	1030020218	Cylinder Nut	1
10	1030020119	Cylinder Stop Punner	1
11	1030021022	Cylinder Stop Punner	1
12	1030020218	Cylinder Nut	1
13	1030020198	Oil Hose Connector	1
14	1030020192	Oil Hose (S)	1
15	1030020196	Long Hose Connector (Include Nut)	1
16	9030034008	Φ12 Flat Washer	1

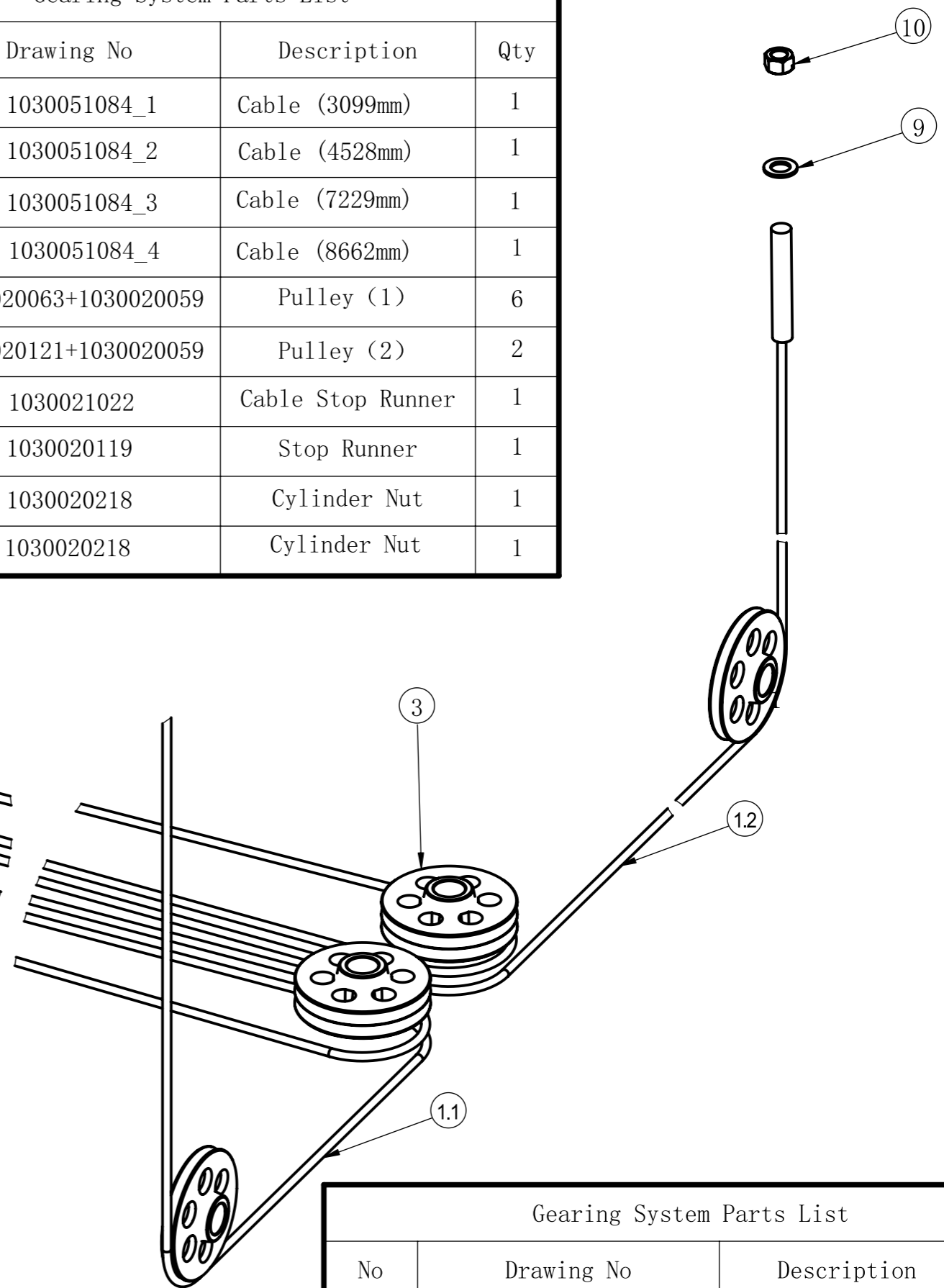


Column Parts List			
No	Drawing No	Description	Qty
1	1030020002	Column	1
2	1030020007	Carriage Block Body	1
3	1030020003	Top Guard	1
4	9030034014	M18 Flat Washer	1
5	9020010016	M18 Nut	1
6	1030020013	Column Cover	1
7	9010040008	M8X25 Screw	2
8	9030034014	M8 Flat Washer	2
9	9020010005	M8 Nut	2
10	9010040019	M12×25 Screw	1
11	9020010011	M12 Nut	1
12	9030034008	M12 Flat Washer	2

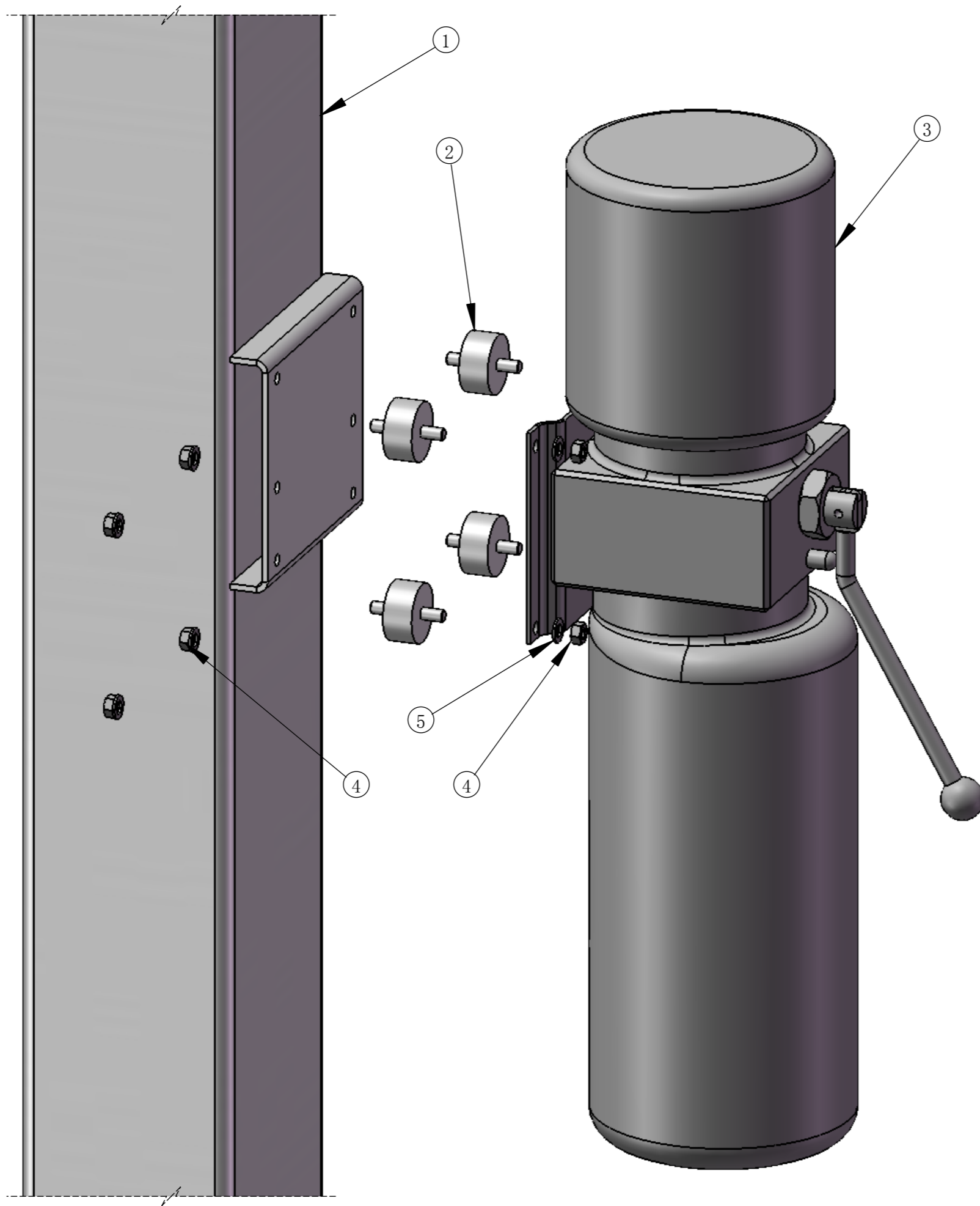




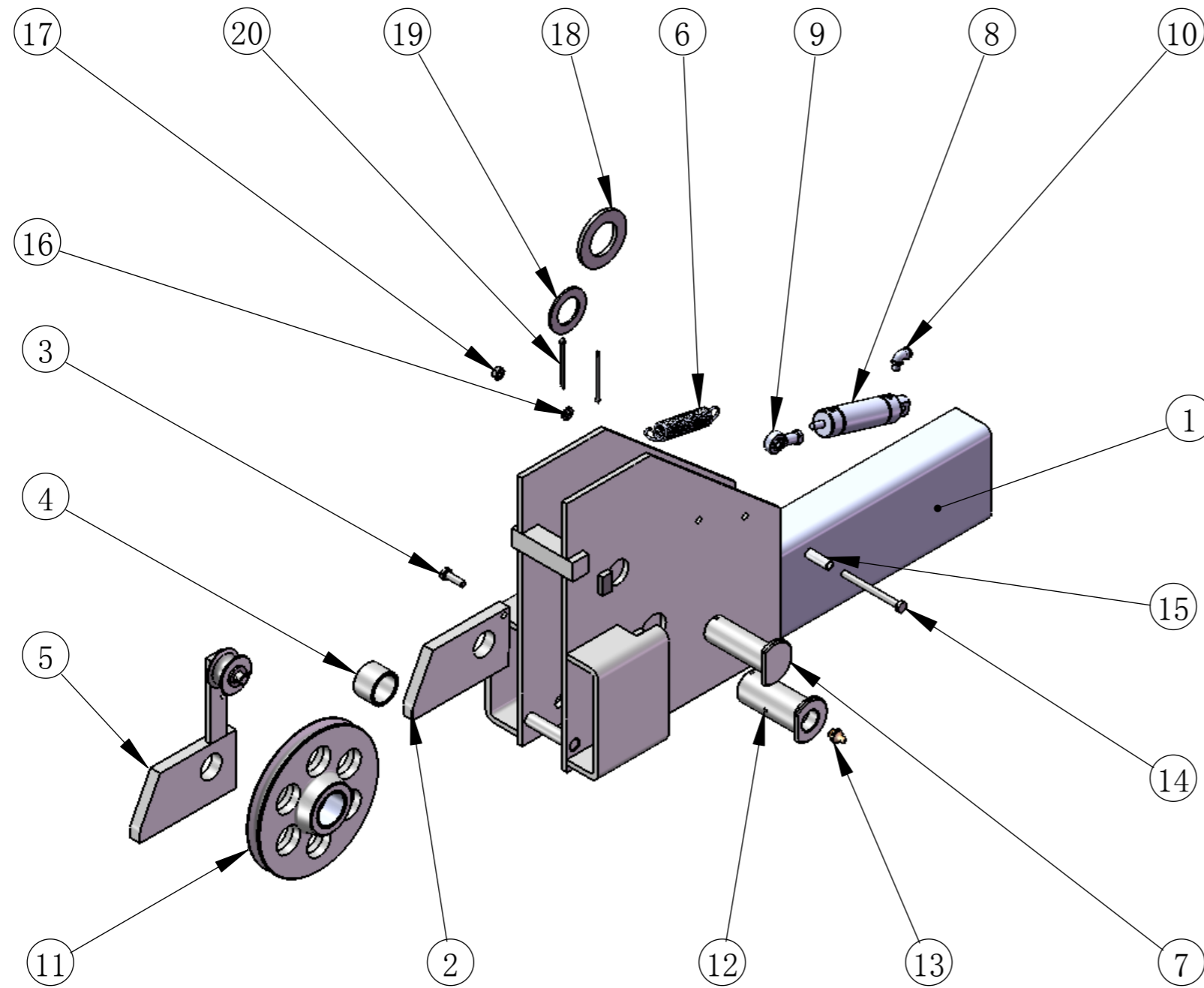
Gearing System Parts List			
No	Drawing No	Description	Qty
<b>1.1</b>	1030051084_1	Cable (3099mm)	1
<b>1.2</b>	1030051084_2	Cable (4528mm)	1
<b>1.3</b>	1030051084_3	Cable (7229mm)	1
<b>1.4</b>	1030051084_4	Cable (8662mm)	1
2	1030020063+1030020059	Pulley (1)	6
3	1030020121+1030020059	Pulley (2)	2
4	1030021022	Cable Stop Runner	1
5	1030020119	Stop Runner	1
6	1030020218	Cylinder Nut	1
7	1030020218	Cylinder Nut	1



Gearing System Parts List			
No	Drawing No	Description	Qty
8	1030020216	Cylinder	1
9	9030034014	M20 Flat Washer	4
10	9020070004	3/4"-16 Nut	4



No	Drawing No	Description	Qty
1	1030020000	Power Column	1
2	1010021011	Power Pack Rubber	4
3	9040040017	Power Unit	1
4	9020010005	M8 Nut	8
5	9030034014	M8 Flat Washer	8



Beam Parts List			
No	Drawing No	Description	Qty
1	1030020039	Beam (1 or 2)	2
2	1030020077	Safety Block (1)	1
3	9010020006	M6*20 Screw	1
4	1030020073	Safety Block Bracket	1
5	1030020079	Safety Block (2)	1
6	1030020053	Block Spring	1
7	1030020071	Block Shaft	1
8	1030020075	Block Cylinder	1
9	1030020088	Shaft	1
10	1050011930	90° Hose Connector	1
11	1030020063+1030020061	Pulley (1)	1
12	1030020069	Pulley Shaft	1
13	1050010320	Butter	1
14	1030020055	M6*70	1
15	1030020089	Platic Hose	1
16	9030034002	M6 Flat Washer	1
17	9020010003	M6 Nut	1
18	9030034018	Φ32 Flat Washer	1
19	9030034017	Φ25 Flat Washer	1
20	9030011004	Φ3.2×45 Beta Pin	2

